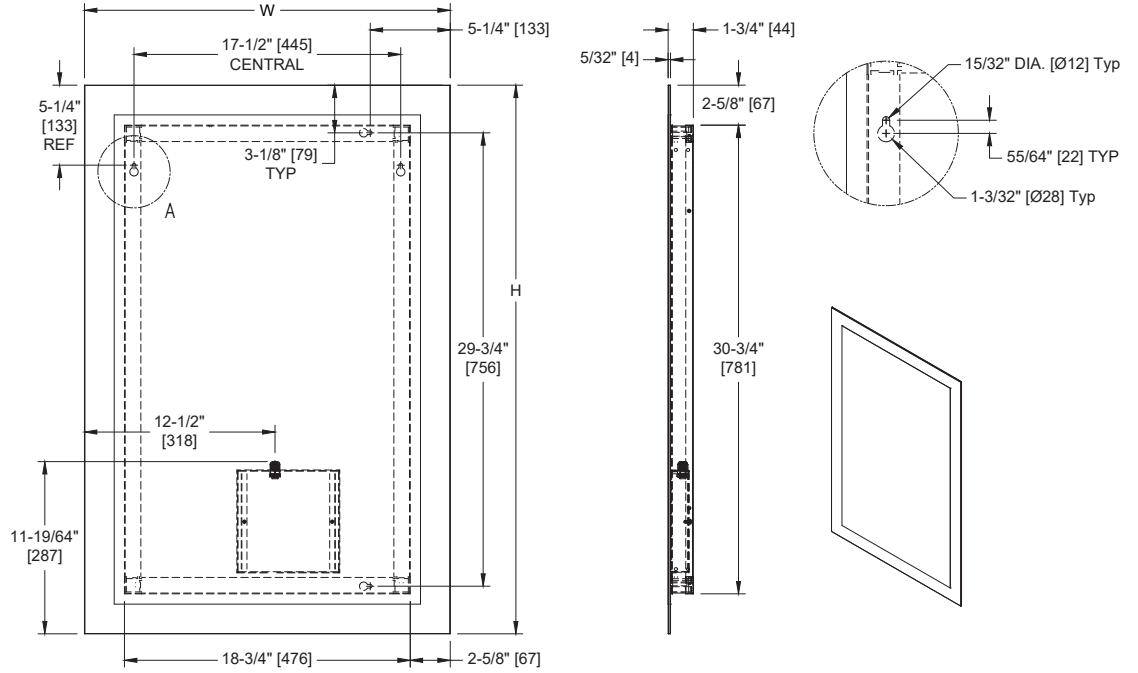


**Frameless - Plate Glass w/ Frosted Border - LED Lighted - Surface Mounted**

Mirrors

MasterFormat Section 10 28 13



Scan for Information



**SUSTAINABILITY/LEED**

MR 4.1 (1) MR 6 (1) EQ 4.2 (1)  
MR 4.2 (1) EQ 4.1 (1) EQ 4.4 (1)

**NOTE:**  
ALL DIM'S INCH [MM]  
ILLUSTRATION FOR REF ONLY AND NTS  
FOR CLEANING INSTRUCTIONS SEE APPROPRIATE SECTIONS IN  
PRODUCT CARE & MAINTENANCE BULLETIN (PCM) ON ASI WEBSITE

**PRODUCT OVERVIEW**

Frameless polished edge mirror with integral mounting frame and frosted glass border LED halo lighting shall be consistent with A glazing and shall be 5/32" [4] thick. Hard wired LED lighting system shall be UL listed and shall operate on 100/240 VAC 50/60 Hz. Light color shall be the equivalent of 6000 K. Unit shall be mountable in horizontal or vertical format without additional brackets or adaptations to mounting provisions. Power cord is included for use by owner if appropriate socket is provided on wall (by others) concealed by mounting frame of mirror and is 34" [86] long with 3-prong USA pattern plug and bare wires for connection to hard wiring in LED control box.

**KEY FEATURES & SPECIFICATIONS**

- Frameless mirror with a frosted border conceales LED backlighting to create modern elegance
- Mirror is mounted by an intergral, concealed, aluminum mounting system
- Made of 5/32" [4] thick plate glass
- LED bulbs with an extended lifespan of upto 50,000 hours saves energy and costs.
- Surface Mounted
- Mirror can be mounted vertically or horizontally without adaptations.
- 100V to 240V - 50/60 Hz. Light color is equivalent to 6000 K.

**TECHNICAL INFORMATION / PRODUCT PROPERTIES**

Property	Value
Dimensions	Various Sizes Available
Construction	5/32" [4] thick plate glass
Mounting	Surface Mounted
Materials	N/A

**INSTALLATION**

Keyhole mounting slots are provided in long and short sides of back frame. Mirror is to be hung on pre-installed pan head screws (provided) to be retained by screw heads engaged into the slots. Mounting screws must be tightened into appropriate wall anchors (by others) or blocking (by others) to suit site conditions adequate to support weight of mirror. Power must be provided (by others) to allow hard wiring (by others) of LED control circuitry. Wall switch (by others) should be installed (by others) to control on-off function. Face of mirror will be 1-3/4" [45] from wall when installation is completed.

**SIZE OPTIONS**

Options	0641-2436 – 24" wide x 36" high [610 x 914] 0641-4836 – 48" wide x 36" high [1219 x 914]	0641-3036 – 30" wide x 36" high [610 x 914] 0641-6036 – 60" wide x 36" high [1524 x 914]
---------	---	---

**GLAZING OPTIONS**

N/A

**WARRANTY**

Five (5) Years from date of invoice